

TE – 47 TRAY SEALER TECHNICAL DOCUMENT

SAFETY INFORMATION

- Read this operating manual before using the device and keep it in a safe place.
- This appliance is not intended for use by persons (including children) with reduced physical, sensory or mental capabilities, or lack of experience and knowledge, unless they have been given supervision or instruction concerning use of the appliance by a person responsible for their safety
- Children should be supervised to ensure that they do not play with the appliance.
- The hot sealing machine must always be used in the upright position, never on its side or tilted forwards or backwards
- Before you plug the device to the socket, check the compliance of power source with the appliance.
- Unplug from the power socket when not in use during and before cleaning. Allow to cool down before cleaning or storing.
- Parts of the device is hot when it is in use. Therefore, appliance should be used only by holding the handle, do not use this appliance near any flammable materials such as curtains, under shelving or under wall cupboards.
- **Caution!** Do not immerse any part of the appliance in water. It is dangerous because of electric shock and personal injury.
- Do not leave the appliance within the reach of children.
- Do not let the hot tray sealer operate unattended, particularly when sealing for the first time or when settings have been changed. Reduce risk of fire or electric shock, any servicing, cleaning, and user maintenances should be performed by an authorized service center. Under no circumstances should you open the device yourself.
- Do not store the cord or the plug between the trays in the appliance.
- Do not unplug the appliance by pulling on the cord.
- Do not move or carry the appliance during use. Children must be supervised to ensure that they do not play with the appliance.
- Never leave unattended when in use device.
- Do not use the appliance for any other use other than that for which it was designed.
- Oversized foods, metal foil packages, or utensils (spoon, knife, etc.) must not be inserted into a hot surfaces as they may cause an electric shock or fire.
- Do not use accessory attachments that are not recommended by the manufacturer as this may be dangerous.
- **Caution!** Parts of the device is hot during in use.

BEFORE USING YOUR PRODUCT

- Remove all packaging materials from the appliance.
- Clean hot sealing plate with a soft and damp cloth and dry it.
- Remove packaging material from the electric cable.
- Place the device on a horizontal, fixed, and dry surface.
- Socket should be connected to ground line otherwise do not use the appliance.
- Socket should have 110V / 16–25 amperes fuse capacity. Using fuse less than 16 amps., may cause a blow-out. In the other hands using fuse more than 25 amps. may damage the device.

INSTRUCTION MANUAL

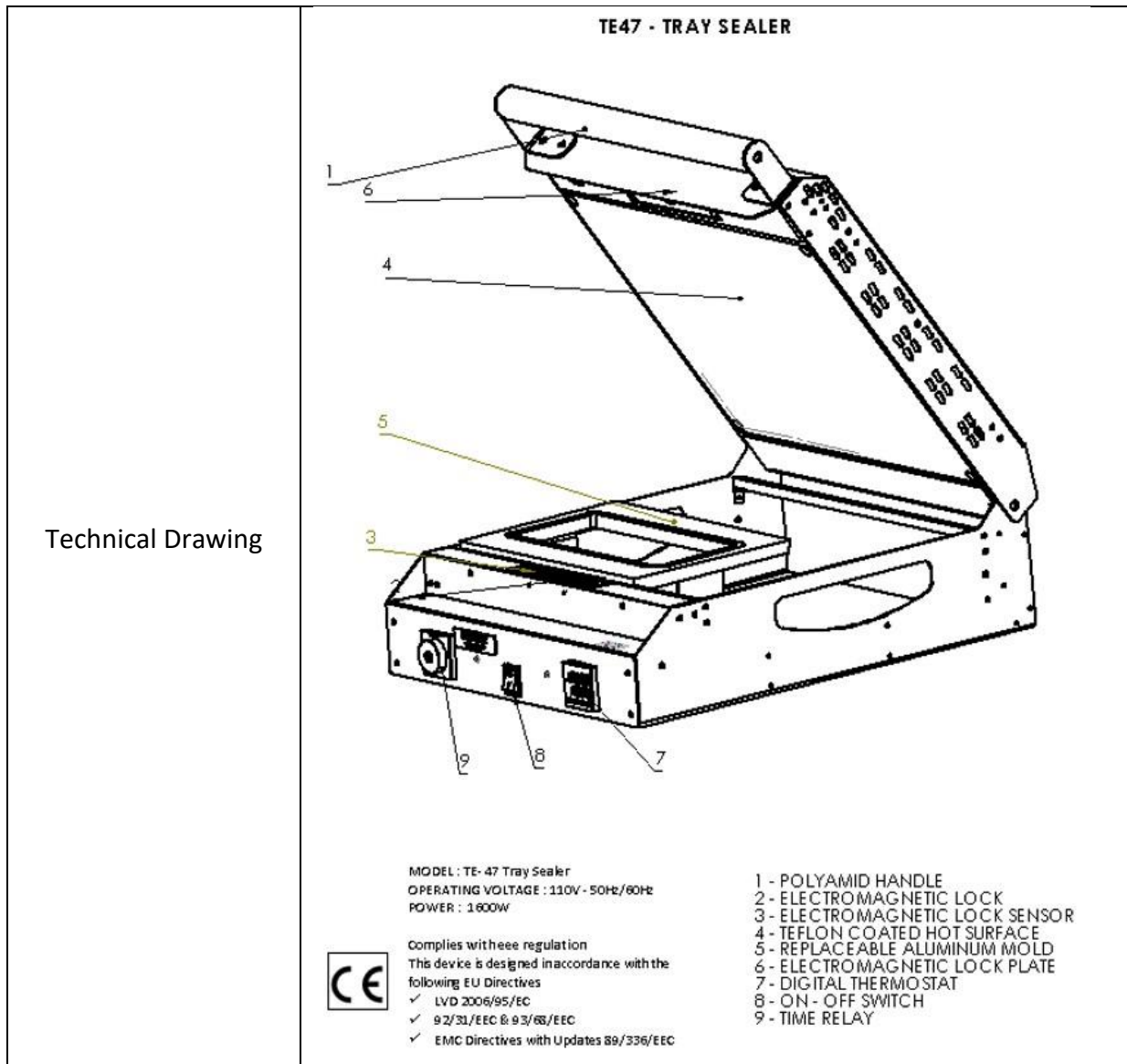
- Connect the appliance to a suitable socket.
- Turn the power button to the “on” position.
- Control lights turns on and hot sealing plate starts to heat in a few minutes.
- The device should be set to the appropriate temperature for sealing material.
- Temperature Control Button (Part-C) shows current temperature. You can check if the current temperature is the desired temperature.
- You can set sealing time using Timer Button (Part-B).
- Use the appropriate mold for the Mold Table (Part-J) of the appliance.
- Place a tray into the mold.
- Place an appropriate shaped cover on to the plate.
- After these steps, you can start sealing.
- Press down strongly by holding the handle of the device.
- Electromagnetic lock will be powered, and a click sound will be heard.
- Release the handle. Cover of the device will remain closed as long as you set the sealing period with Timer Button (Part-B). When the time expires, the cover will open automatically.
- **Caution!** The cover opens to upwards by pushing pneumatic pistons. 40 cm empty area should be on the device for opening the cover easily. Do not put your hands, arms, and fingers to this area during in use in order to avoid injury. Do not lean over the device.
- After the tray sealing is completed, turn the power button to the “off” position on the device. Unplug it from wall socket.
- **Caution!** Cooling time of hot sealing plate may extend to 30 mins. Do not touch the device during this cooling period.

CLEANING AND MAINTENANCE

- Unplug the appliance from wall socket.
- You may clean surfaces after the appliance has cooled completely.
- Use a a soft and damp cloth for cleaning.
- Never use abrasive cleaning materials or sharp objects for cleaning. You may damage body and Teflon coated surfaces.
- **Caution!** Do not immerse the device or electric cable in water or other liquids. It is dangerous because of electric shock and personal injury.

TECHNICAL SPECIFICATIONS

Model Name	TE-47 Tray Sealer	
Operating Voltage	110 Volts – 50Hz/60Hz	
Power Max	1600W	
Boxed Dimensions	L=510 mm W=620 mm H=290 mm Weight=28 Kgs	
Machine Dimensions	L=495 mm W=600 mm H=270 mm Net Weight=27.2 Kgs	
Operating Temp.	Maximum 200 Celcius or 392 Fahrenheit	
Component List with Certificate Of Origin	COMPONENT NAME	ORIGIN
	RKC Rex-C100 Thermostat (7)	JAPAN
	ATSP12-LV04 Time Relay (9)	JAPAN
	EMAS Power Switch (8)	TURKEY
	RT2004C Power Inlet with Fuse 16 Amp.	JAPAN
	Power Cable 3x1.5mm	U.S.A.
	Teflon Coated Aluminium Resistance (4)	TURKEY
	Stainless Stell Body Components	TURKEY
	24V2.1Amp Power Adaptor	TURKEY
	Electromagnet Unit with Sensor (3)	TURKEY
Gas Springs	TURKEY	



Technical specifications and this guide may change without giving information. Rights reserved. Comply with the regulations of EEE.



This device comply with regulations of EU as shows below.

- ✓ Low Voltage Directive 2006/95/EC
- ✓ 92/31/EEC and 93/68/EEC
- ✓ With changes the Directive of EMC 89/336/EEC

MANUFACTURER

AYAZ DAĞITIM DIŐ TİCARET LTD.ŐTİ.
Sanayi Mah. Mimsan Sanayi Sitesi 1726 Sok. No: 38
Esenyurt / İSTANBUL

EU Tel 0031 6 24 57 59 20
Turkey Tel 0212 672 44 11
E-mail ayazsiparis@ayazdagitim.com
Web address <http://www.ayazdagitim.com>

AUTHORIZED DISTRIBUTOR

Simplepack Packaging LLC.
132 Sheri Ln Agawam 01001 Massachusetts USA
Mr.Senol YILMAZ

USA Tel +1 413 312 6166

Lifetime (the time is keeping spare parts to function of the device) of the device is 7 years that is determined and announced by Ministry of Customs and Trade or Ministry.

ENVIRONMENTALLY SAFE DISPOSAL OF THE DEVICE



This mark on the product or on the information label indicates that this device should not be disposed of with other household waste at the end of its life. To prevent potential harms to the environment or human health from unchecked waste disposal, please separate this device from other types of waste and ensure responsible recycling of material resources to support sustainable reuse. For information on where and how to take this device for environmentally safe recycling, contact the dealer or local organizations where you purchased the product. This product should not be mixed with other commercial waste for recycling.